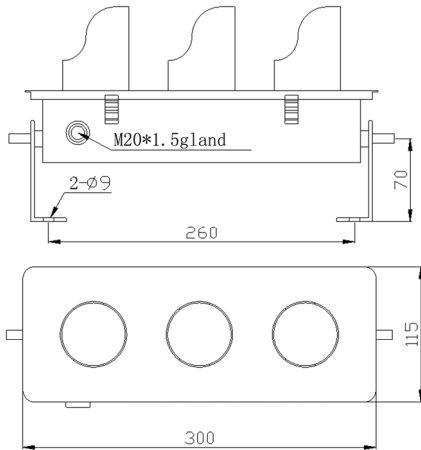
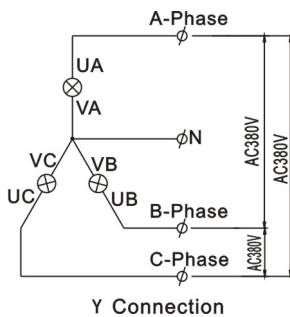




Mounting dimension (mm)



Wiring diagram



Application


Application:

speciall designed for various travelling cranes and hoist, to check the power of an equipment or device when a problem occurs.

Major functions & features

- Employ cold rolled steel enclosure with powdercoat paint finishes, providing durability and corrosion resistant.
- Use super bright LEDs as bulb, providing external long life.
- Completely sealed by silicon rubber glue, providing high IP protection.
- Flexible mounting mode, Lamp no. and color can be customized based on the customer' s special requirement, for wide application.

Specifications

Supply voltage	AC220V/AC380V(Special voltage can be customized)	Frequency	50Hz~60Hz
Rated wattage	< 5W (each lamp)	Color	Red, amber, green, blue or white(optional)
Visible distance	> 300m	LED life time	50,000h
Operation	Steady burning	Wiring	Y-connection
Operation temperature	-30°C ~ +70°C	IP rating	IP65
Relative humidity	10% ~ 95% (no coagulation)	Material	Cold rolled plate
Weight	2.6kg		

Installation and operation

- Verify whether the supply voltage complies with the rated voltage of indicator.
- Secure the indicator panel on a smooth surface with enough mechanical strength using 2 Nos. M8 screws.
- Unfasten the fastener, open the panel, and terminals will appear.
- Plug power cables from water-proof gland box and connect them to corresponding terminals.
- Power on and power indicator will light up.

Notice

- Should make sure all power connect correct before function.
- The product will heating-up when working, it' s normal.
- Please don' t open any part of the lights when working to avoid any dangers.
- The product with sealed structure, please don' t dismantling except professional person, or we' ll don' t do the guarantee.
- Please use the product based on above instruction.