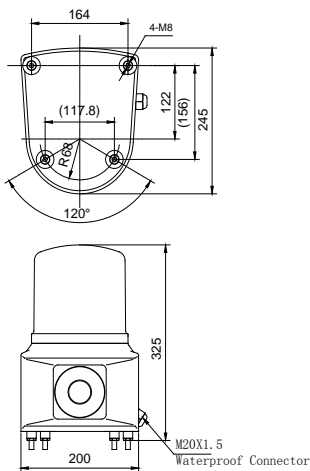


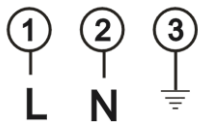
Patent NO. 2011 3 0266411.2



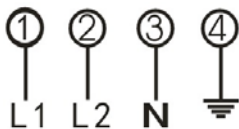
Mounting dimension (Unit:mm)



Wiring diagram



A signer tone



The dual tones

Application


Applications

Specially design for all kinds of hoisting machinery (tyre crane, crawler crane,overhead traveling cranes, etc.), harbors machinery(gantry cranes, bridge crane, etc), Plant (electrotechnical box), metallurgies, chemical industry, coalmines and marine etc.

Main functions and features:

- Die casting aluminum enclosure, with good appearance and corrosion resistance and good sealed performance,with good water-proof and dust-proof.
- Specially designed integrated core, with super strong EMI performance.
- PC housing—UV resistance, high transmittance, anti-aging and impact resistance.
- Vacuum Reflector improves the diffusion of the signal beam greatly.
- Several sounds available, and adjustable sound volume.
- High power speaker, suitable for noisy places.

Specifications:

Operating voltage	AC24V/AC36V/AC48V/AC110V/AC220V AC380V/ DC24V (can be customized)	Frequency	50Hz ~ 60Hz
Tone	Ring,A,B,E,D, Speech (optional)	Speaker power	25W/50W
Color	Red, yellow or green(optional)	Sound level	110dB
Alarm method	Audio and visual alarm at the same time		
Operating temperature:	-30°C ~ +70°C	IP Protection	IP65
Relative humidity	10% ~ 95% (no condensing)	Material	Die casting aluminum
Weight	≤6.8Kg		

Installation and Operation

- Check whether the operating voltage complies with the rated voltage of the siren
- Secure the siren body on a smooth surface with enough mechanical strength using 4 Nos. M8 screws.
- Unfasten two screws on the nameplate and take away the cover, then terminals appear.
- Insert power line and control line from the gland box, and then connect them to the correct terminals.
- Verify the connections of the power line and control lines before power on.

Model selection

Model	Tone	Volume adjustable	Others
BC-110	A signer tone	Adjustable/Unadjustable(optional)	Rotary lamp
BC-110A	The dual tones	Adjustable/Unadjustable(optional)	Rotary lamp
BC-110L	A signer tone/ The dual tones	Adjustable/Unadjustable(optional)	LED light source

Note:

- The part of material of products is PC(like lamp cover and lamp shell), so it cannot direct or indirect touch the organic solvent, such as industrial alcohol, banana oil, isopropyl alcohol, carbon tetrachloride, cyclohexanone and so on, otherwise, the product will be corrosion.When power on, connect the control circuit correctly according to the manual, if this productdoes not work or works abnormally, please contact our company immediately.